



The new SolTech Flex provides free maintenance heating for summer and vacation homes

Imagine receiving free energy for maintenance heating and at the same time improve your indoor climate!

SolTech Flex is your obvious choice!

SolTech Flex is easily mounted in the fall and removed in the spring, when heating is no longer needed. With its simple and ingenious design, you have great freedom in its placement, as it can be easily moved or removed.

SolTech Flex is an air-based solar collector that uses the sun to heat and recirculate the indoor air.

SolTech Flex is equipped with a high efficiency fan, powered by a solar cell. The indoor air is heated by the sun while circulated, and returned back into the house. As it heats the indoor air, you don't run the risk of blowing in colder air than is already in the house!

Easy to place

SolTech Flex is most efficient when placed south facing. The south facing side of the house, however often has windows, doors and patios, making a permanent installation impossible.

With the mounting and removal of the SolTech Flex being so simple, it can be installed over a window!

– So finding a good spot is easy on most buildings!

In summer, when there is no need for heating, SolTech Flex is easy to remove and will not disturb the appearance of the house or generate unwanted heat.

Easy to install

All you need to install is included in the package, including a hole saw, for drilling through the outer wall*, and an air pump to inflate your SolTech Flex. After initial assembly, it takes only a few minutes to install or remove your SolTech Flex.

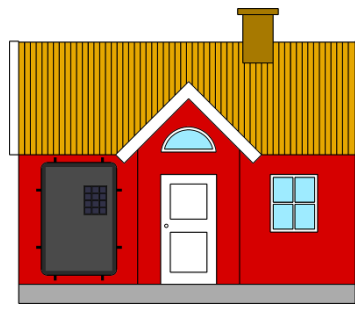
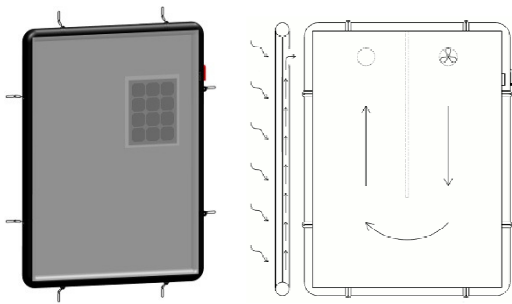
For houses up to 85 m²

SolTech Flex has an energy output of up to 1 200 watts, making it suitable for houses of up to 85 m².

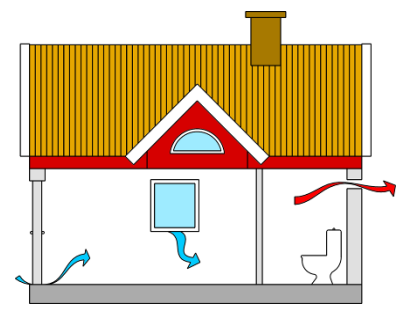
* Applies only to wood and plaster walls

Also for the cabin, storage room or garage.
For your house in the countryside, in the mountains or in the archipelago.

The new SolTech Flex provides free maintenance heating and improved ventilation.



SolTech Flex is easily mounted on a



SolTech Flex Improves ventilation

How does it work?

SolTech Flex consists of an inflatable frame with removable covers. The frame forms two separate columns of air, of which the front acts as insulation and the back is used to heat the indoor air. See the illustration above.

The front screen is transparent allowing the rays of the sun to shine onto the black absorber where the solar energy is converted into heat. The heat is transferred to the air in the column behind it.

The SolTech Flex is connected to the indoor air via two holes through the outer wall of the house. The solar-powered fan circulates the cold indoor air through SolTech Flex, where the air is heated. The heated air is then recirculated into the house. When the sun does not shine and no heat is generated, the fan automatically stops.

Holiday homes or similar are often ventilated by natural draft, which is generated by the difference between indoor and outdoor temperatures, the so-called chimney effect.

SolTech Flex does not only contribute to the heating, it also enhances the natural ventilation through its function - the raw, moist air decreases significantly!

Want to know more?

www.SolTechFlex.com



Technical Data

Output: 1 200 W*	Air flow, max: 200 m ³ /h*
Aperture area 2,34 m ²	Height: 2 m
Solar cell: 20W*	Width: 1,5 m

SolTech Energy

+46 [0]8 446 88 40, fax +46 [0]8 441 88 41, info@SolTechEnergy.com, www.SolTechenergy.com/en

SolTech Energy



Pure Solar Power